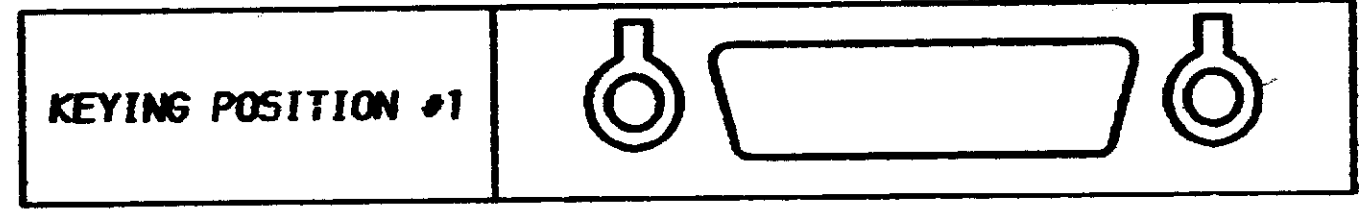
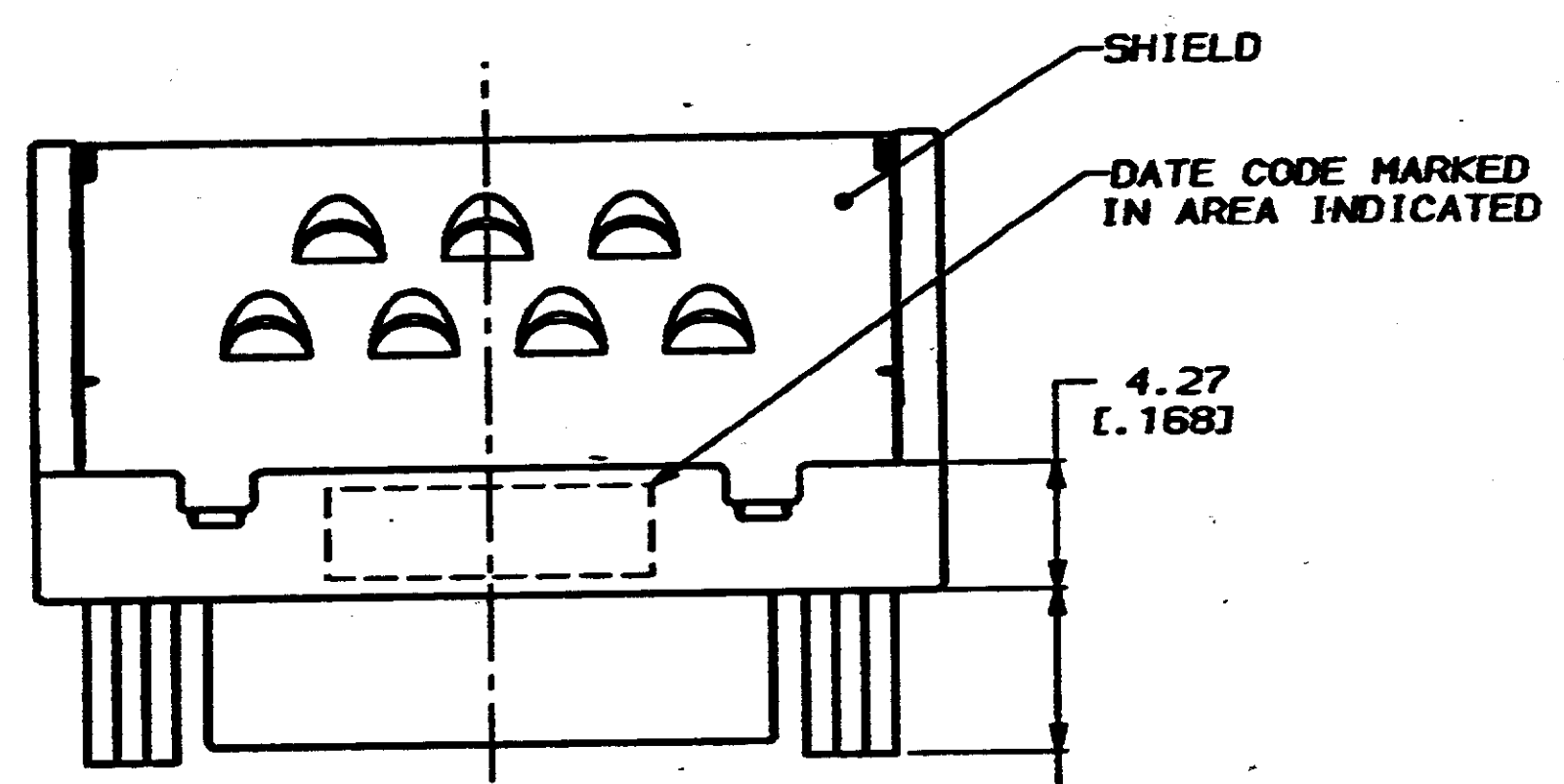
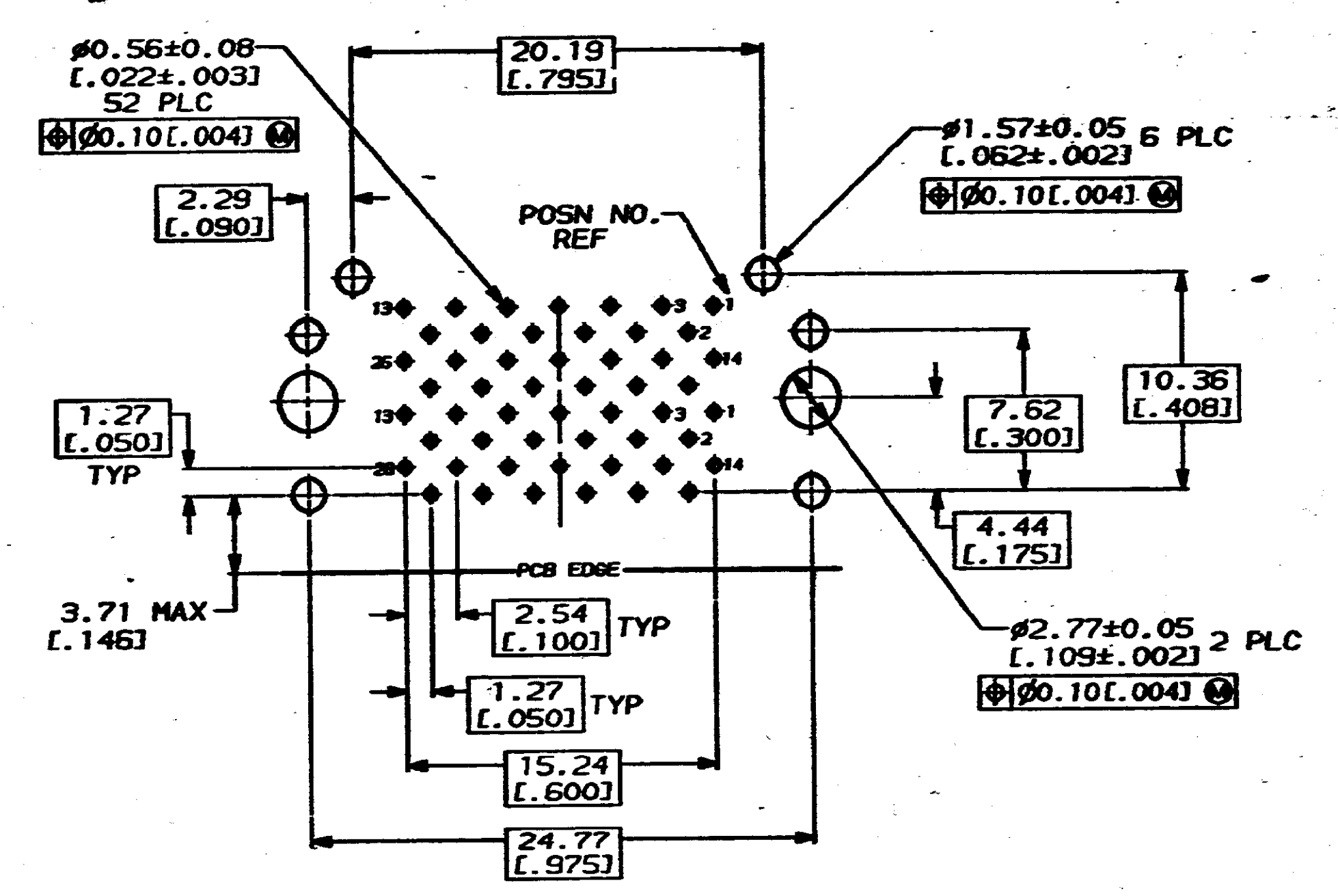
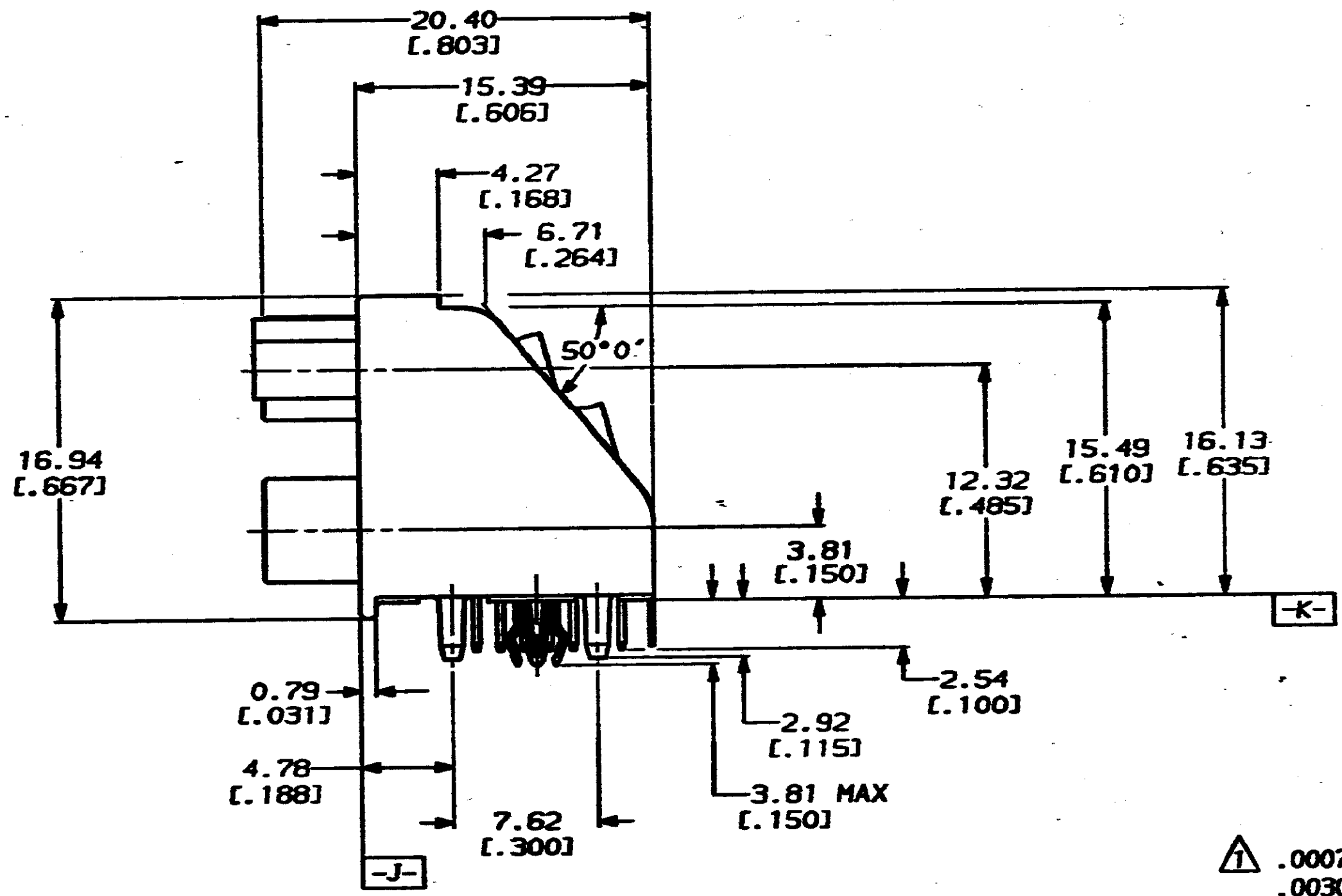
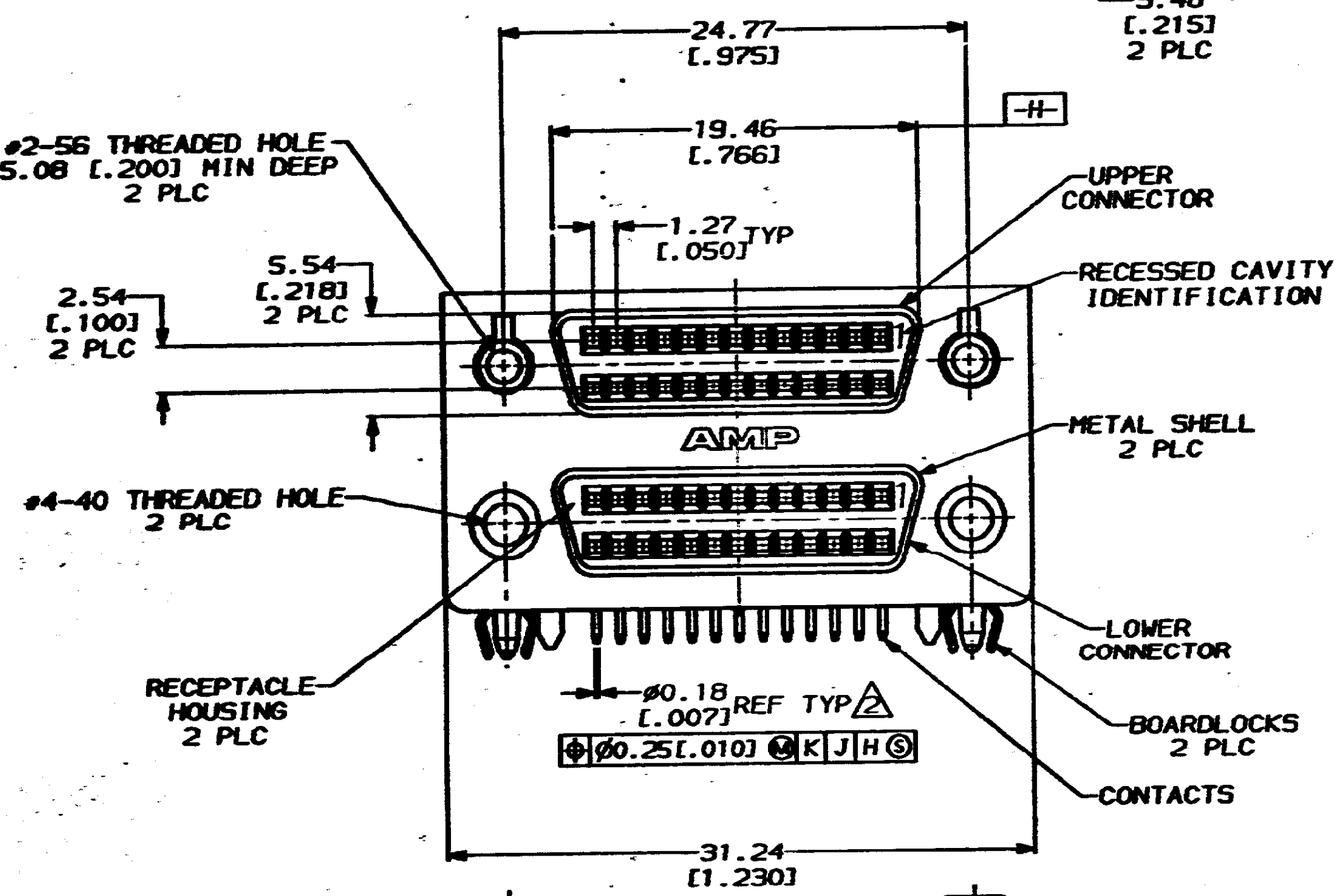


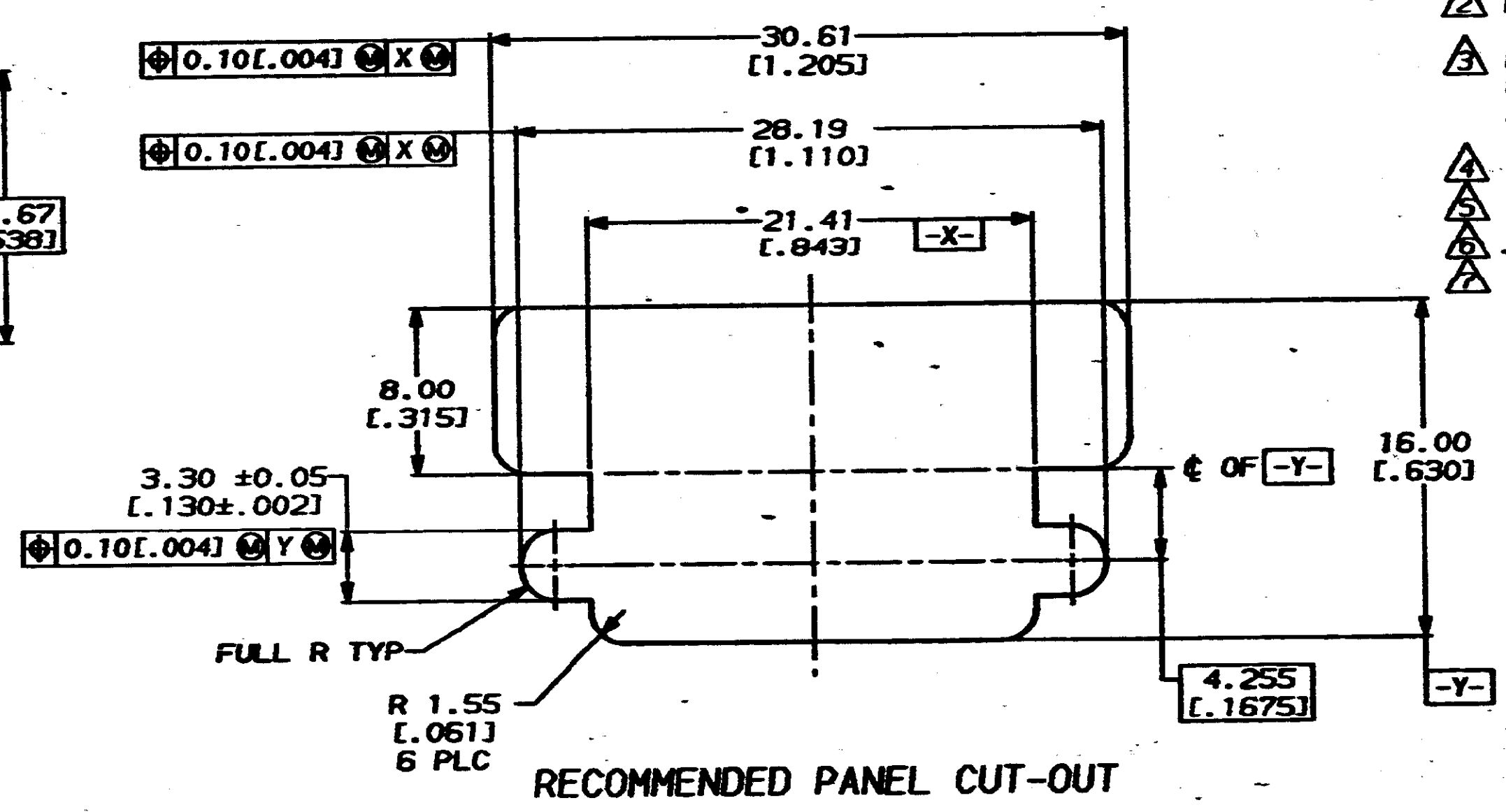
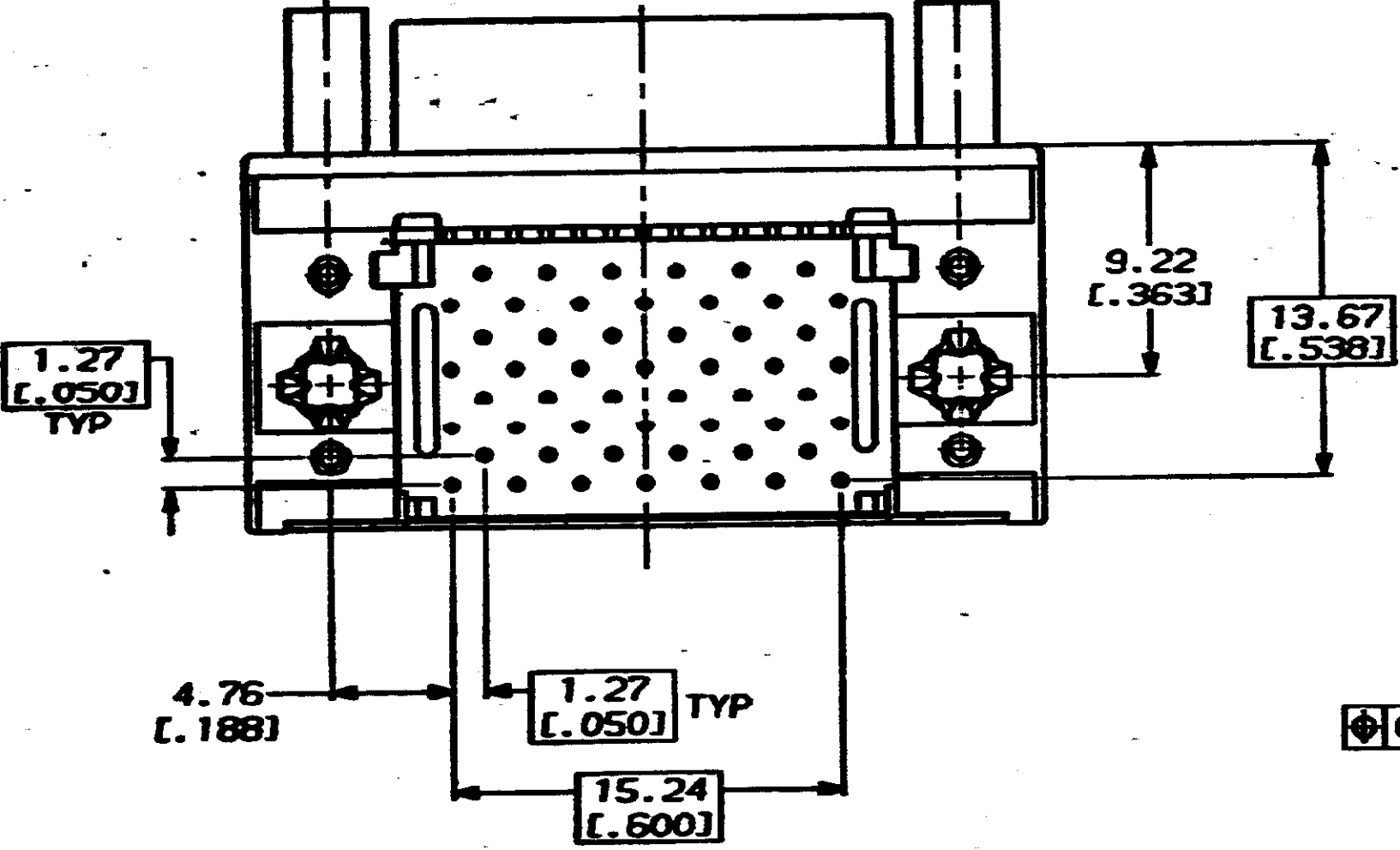
REVOLUTIONS		ZONE	LTR	DESCRIPTION	DATE	APPD
18	BD	39		O RELEASED PER NPR 35, WAS 91-4664-51		
				A REVISED PER ECN 4221-0789	08/28/91	J.A.MAY
				B REVISED PER ECN 4221-0804	10/22/91	J.A.MAY
				C REVISED PER ECN 4221-0817, 0845	02/17/92	J.A.MAY
				D REVISED PER ECN B06045	04/18/92	RH
				E REVISED PER ECN B06463	07/18/92	RM



KEYING POSITION CHART
NOT TO SCALE



P.C. BOARD MOUNTING DIMENSIONS
CONNECTOR SIDE



RECOMMENDED PANEL CUT-OUT

- ▲ .000762-.000889 [L.000030-.000035] THICK GOLD ON MATING END, .003048-.007620 [L.000120-.000300] THICK TIN-LEAD ON SOLDER LEAD, ALL OVER .001270-.002540 [L.000050-.000100] THICK NICKEL.
- ▲ POSITION TOLERANCE APPLIES AT TIP ONLY.
- ▲ MATERIAL: CONTACTS-PHOSPHOR BRONZE, RECEPTACLE HOUSING-UL 94V-0 RATED LCP, COLOR BLACK, BRACKET-ZINC, METAL SHELL-CARBON STEEL, BOARDLOCKS-COPPER ALLOY, SHIELD: PHOSPHOR BRONZE.
- ▲ 0.00508-0.01016 [L.000200-.000400] TIN OVER 0.00127-0.00254 [L.000050-.000100] COPPER.
- ▲ 0.00508-0.01016 [L.000200-.000400] TIN-LEAD OVER 0.00508-0.00762 [L.000200-.000300] COPPER.
- ▲ 0.00508-0.01016 [L.000200-.000400] TIN-LEAD OVER 0.00127-0.00254 [L.000050-.000100] NICKEL.
- ▲ 0.00254-0.00635 [L.000100-.000250] TIN.

1 UNKEYED 750821-1		UPPER CONNECTOR LOWER CONNECTOR PART NUMBER	
KEYING POSITIONS			
AMP AMP Incorporated Harrisburg, PA 17105-3608			
NAME RECEPTACLE ASSEMBLY, SHIELDED, 52 POSN, KEY 1 & UNKEYED, STACKED RIGHT ANGLE, ANPLIMITE® .050 Series SLIMLINE		SIZE D	CASE CODE 00779
DRAWING NO 750821		PAGE 1 OF 1	
DO NOT SCALE PRINT. UNLESS SPECIFIED DIMENSIONS IN INCHES TOLERANCES ON: 2 PLC DEC ± 0.13 [L.005] 3 PLC DEC ± ANGLES ± 2°		DR 05-31-91 John A. Root CHK 05-31-91 J. BROSDARD APPD 05-31-91 J. BROSDARD APPD 7-2-91 R. WHITMAN PRODUCT SPEC 108-1366	
FINISH CONTACT: SHIELD METAL SHELL: SHIELD BOARD LOCKS: SHIELD		APPLICATION SPEC 114-40036	